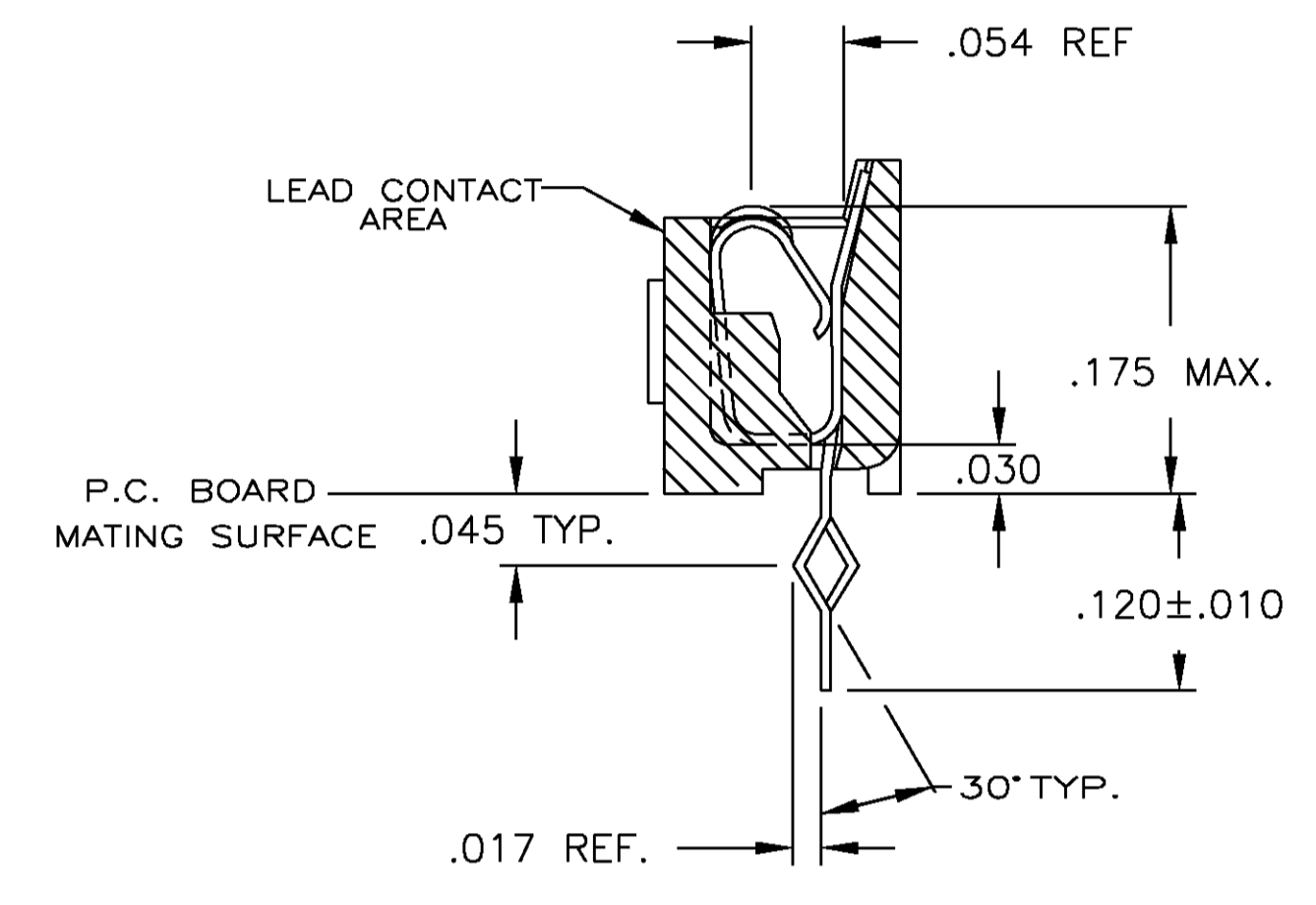
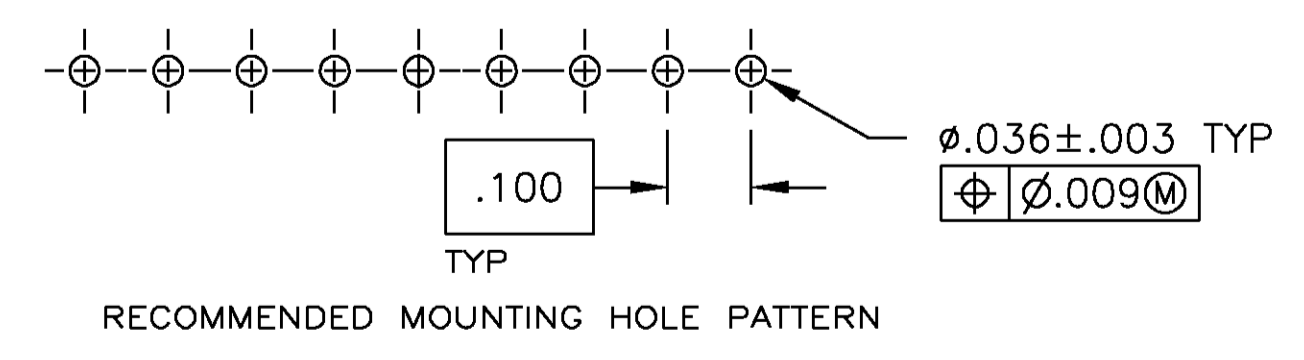
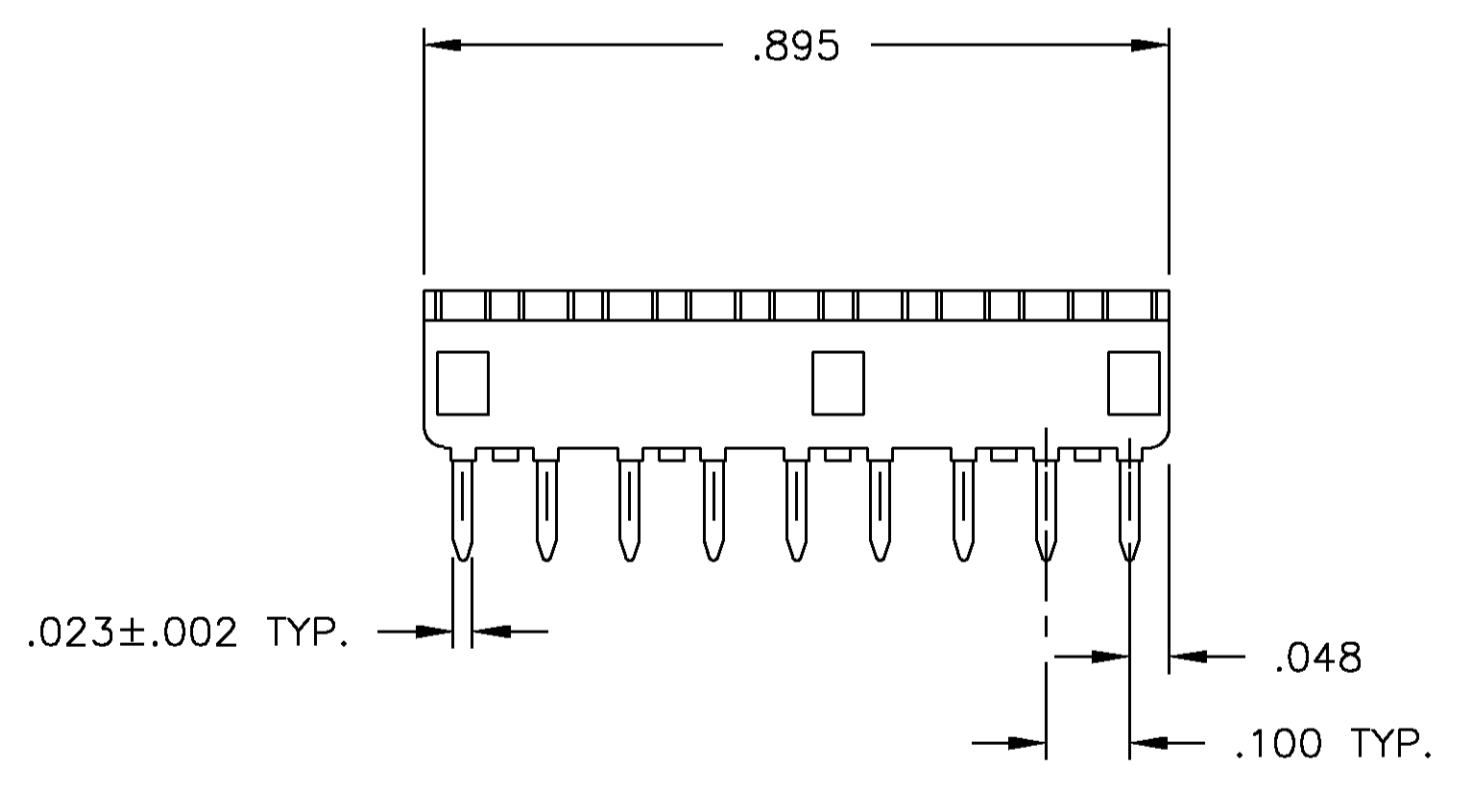
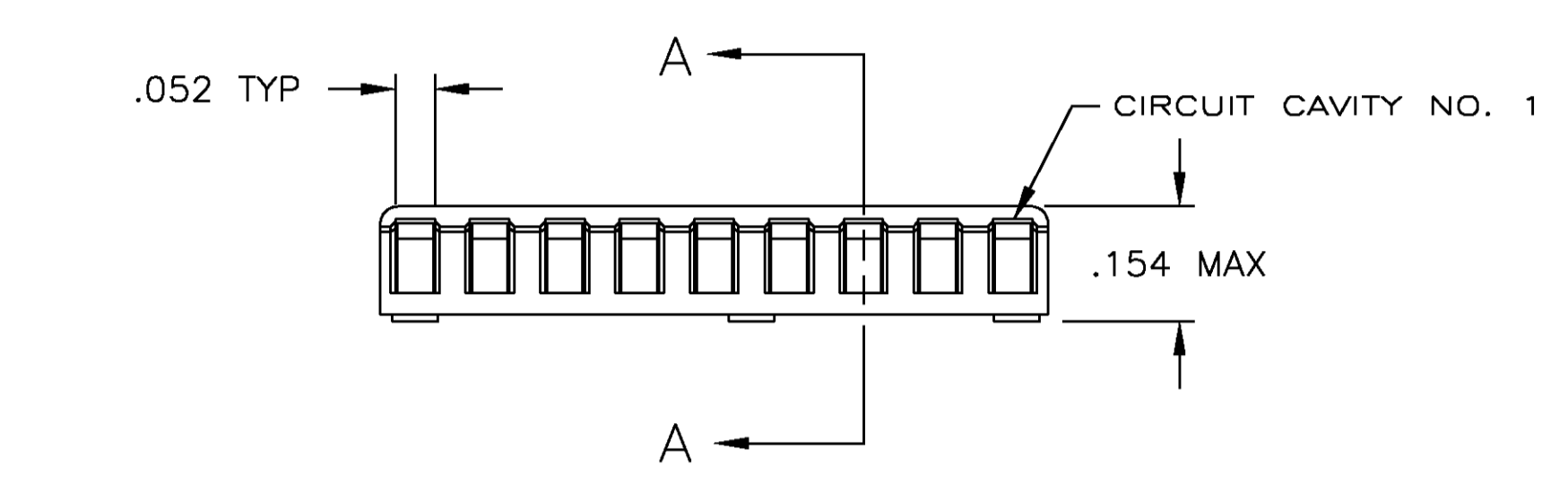
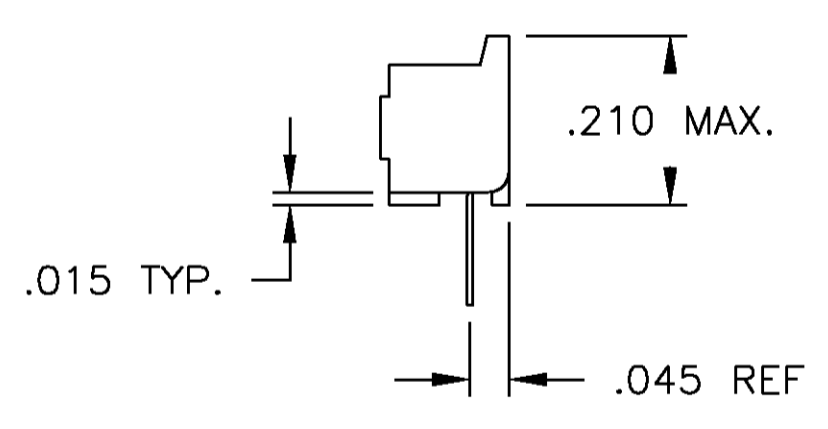


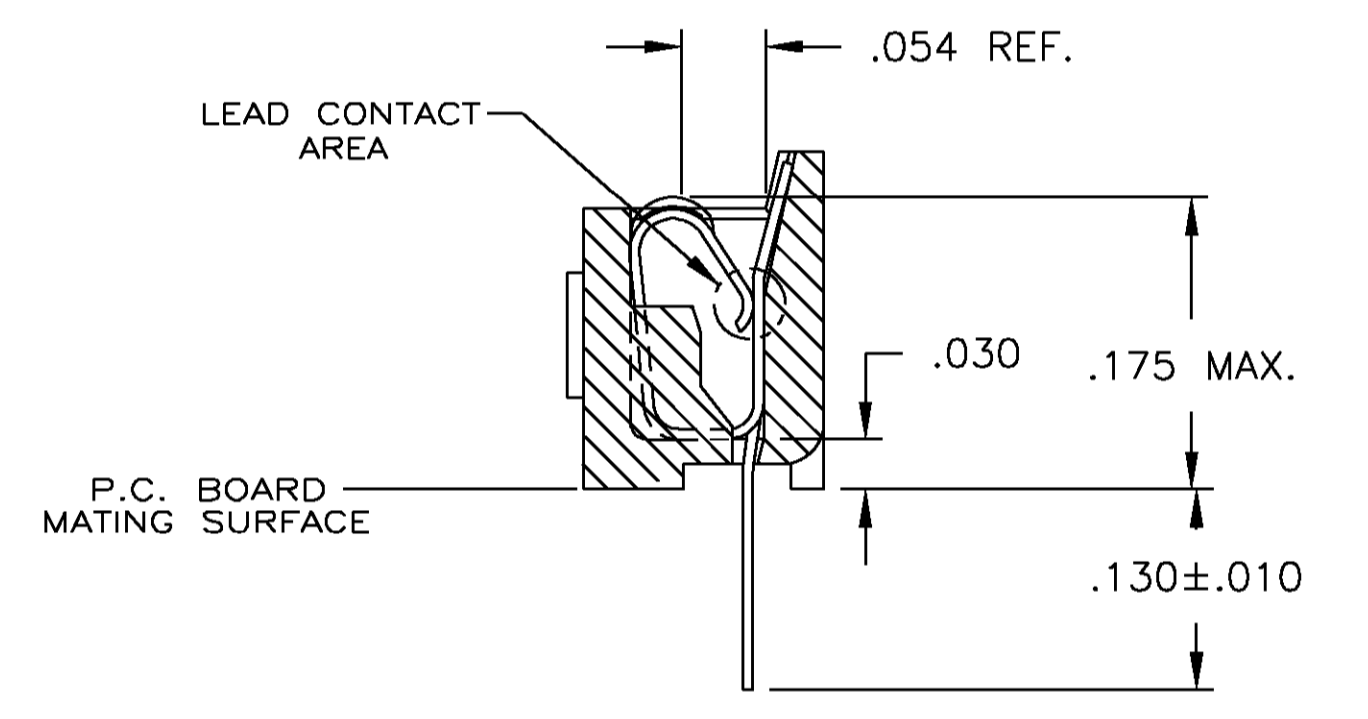
LOC		DIST		REVISIONS			
P	LN	DESCRIPTION	DATE	BY	APPD		
M		REV PER 0G3C-0214-99	24AUG00	BH	HW		



SECTION A-A
ROTATED 90° CW
SCALE 10:1
FOR -6, -7 & -8 ONLY



- 1. RECEPTACLE ACCEPTS AN .008-.014 THK. I.C. LEAD.
- △ TWO .000030 MIN. THK. GOLD STRIPES IN CONTACT AREA, TIN-LEAD(93-7) ON CONTACT LEGS, BALANCE OF CONTACT NICKEL PLATED.
- △ TWO .000015 MIN. THK. GOLD STRIPES IN CONTACT AREA, TIN-LEAD(93-7) ON CONTACT LEGS, BALANCE OF CONTACT NICKEL PLATED.



SECTION A-A
ROTATED 90° CW
SCALE 10:1
FOR -1, -2 & -3 ONLY

	CONTACT FINISH	CONTACT MAT'L	HOUSING MATERIAL	PART NO.
	TINNED	PHOS.BRZ.	GLASS-FILLED THERMOPLASTIC, 94V-0, BLACK	643641-8
OBSOLETE	△	BE.CU.	GLASS-FILLED THERMOPLASTIC, 94V-0, BLACK	643641-7
	TINNED	PHOS.BRZ.	GLASS-FILLED THERMOPLASTIC, 94V-0, BLACK	643641-6
SUPSD BY 643641-2	△	BE.CU.	GLASS-FILLED THERMOPLASTIC, 94V-0, BLACK	643641-4
OBSOLETE	TINNED	PHOS.BRZ.	GLASS-FILLED THERMOPLASTIC, 94V-0, BLACK	643641-3
OBSOLETE	△	BE.CU.	GLASS-FILLED THERMOPLASTIC, 94V-0, BLACK	643641-2
OBSOLETE	TINNED	BE.CU.	GLASS-FILLED THERMOPLASTIC, 94V-0, BLACK	643641-1

THIS DRAWING IS A CONTROLLED DOCUMENT.		DRN M. CYRUS 8-14-84	Tyco Electronics Corporation Harrisburg, PA 17105	
DIMENSIONS: INCHES		OR N. JONES 7-3-84	AMP	
TOLERANCES UNLESS OTHERWISE SPECIFIED:		APVD J. GRAY 7-10-84	SOCKET ASSY, SIP, 9 POS. DIPLOMATE DL	
0 PL ± -	1 PL ± -	PRODUCT SPEC 108-1066	SIZE A1	CAGE CODE 00779
2 PL ± -	3 PL ± .005	APPLICATION SPEC 114-1049	DRAWING NO 643641	RESTRICTED TO
4 PL ± -	ANGLES ± -	WEIGHT -	SCALE 5:1	SHEET 1 OF 1
MATERIAL SEE TABLE	FINISH SEE TABLE	CUSTOMER DRAWING		REV M